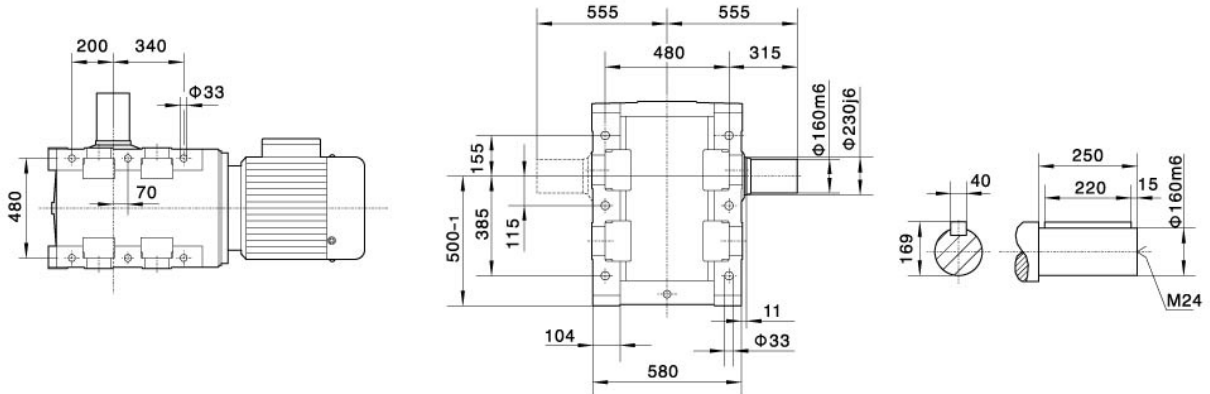
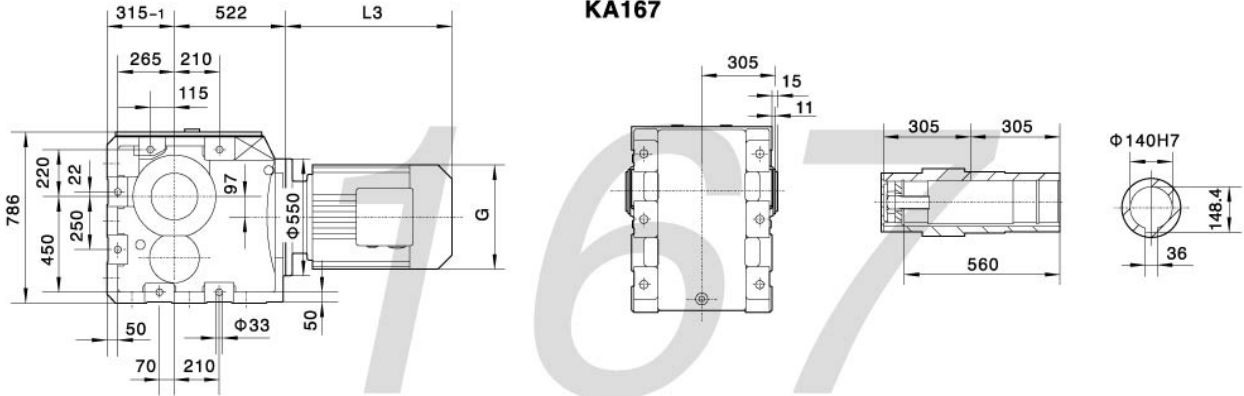


K167

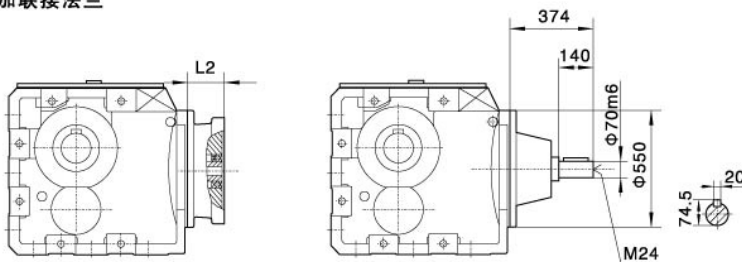


KA167

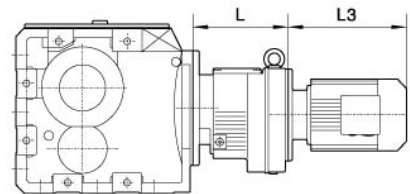


电机需方配或配特殊电机时需加联接法兰

K..S167



K..167R97(R107)



When equipping the user's motor or the special one, the flange is required to be connected.

注:其余尺寸见相对应结构形式

Note: For other values please refer to the opposite structure.

| Y2电机座号 Motor size | K..167R97 | | | | | | | | | K..167R107 | | | | |
|----------------------|-----------|------|------|------|-----|------|------|-----|------|------------|------|------|------|-----|
| | 160M | 160L | 180M | 180L | 200 | 225S | 225M | 250 | 280S | L | 320 | 370 | | |
| 功率/4P Power/(kW) | 11 | 15 | 18.5 | 22 | 30 | 37 | 45 | 55 | 75 | 90 | 110 | 132 | 160 | 200 |
| L3 | 567 | 602 | 635 | 666 | 642 | 669 | 691 | 770 | 828 | 879 | 1100 | 1180 | 1270 | |
| G | 330 | 330 | 380 | 380 | 420 | 470 | 470 | 510 | 580 | 580 | 645 | 645 | 645 | |
| L2 | 143 | 143 | 143 | 143 | 143 | 143 | 143 | 143 | 143 | 143 | 145 | 145 | 145 | 145 |

注:1.KA, KF, KAF, KAZ壳体为通用件,安装尺寸均可相互参照。 2."K.."表示K, KA, KF, KAF, KAZ, KAB.

Note:1.The housings of KA, KF, KAF, KAZ are common parts. The mounting dimensions may consult each other. 2."K.."mean K, KA, KF, KAF, KAZ, KAB.