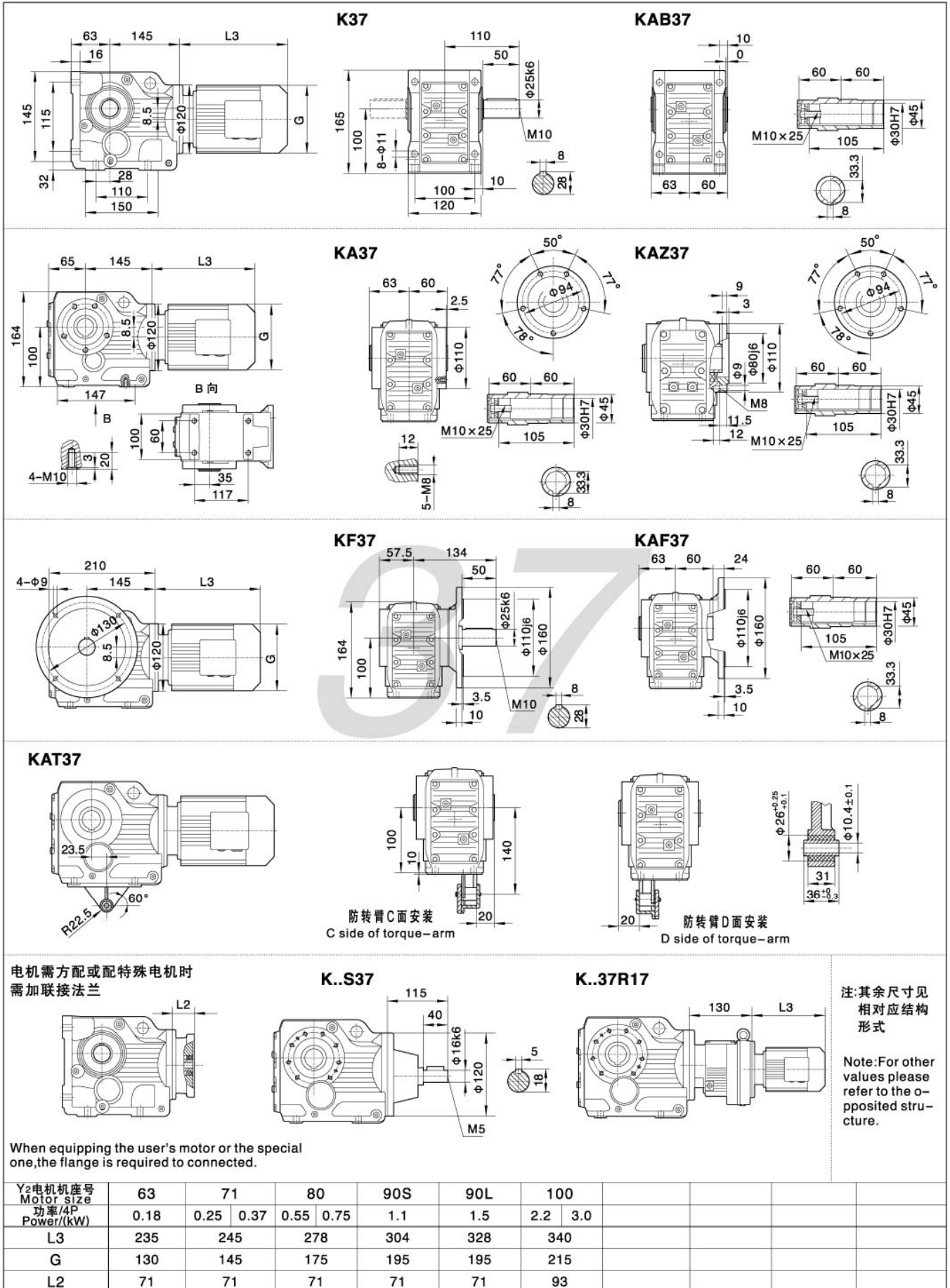


外形安装尺寸 Mounting Dimension Sheets-overview

K



注:1.KA, KF, KAF, KAZ壳体为通用件,安装尺寸均可相互参照。 2."K.."表示K, KA, KF, KAF, KAZ, KAB。
Note:1.The housings of KA, KF, KAF, KAZ are common parts.The mounting dimensions may consult each other. 2."K.."mean K, KA, KF, KAF, KAZ, KAB.