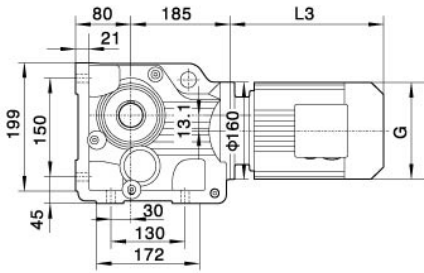
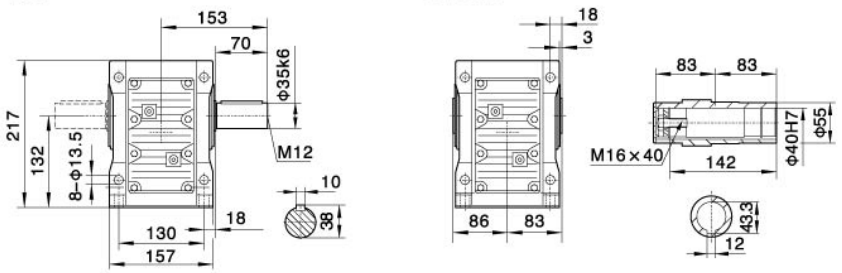


外形安装尺寸 Mounting Dimension Sheets-overview

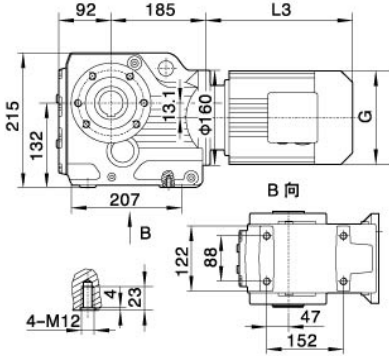
K57



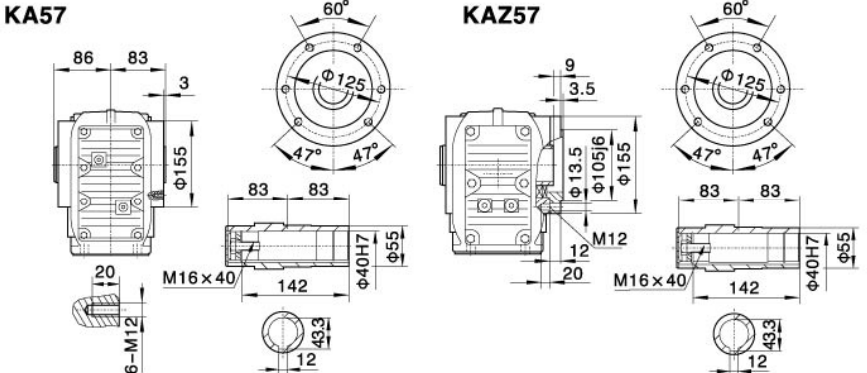
KAB57



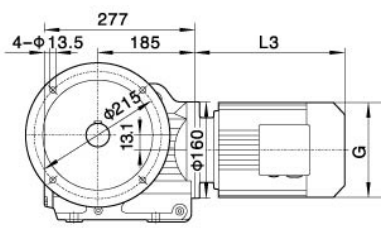
KA57



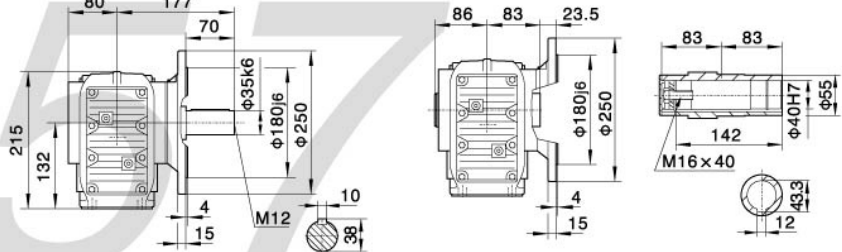
KAZ57



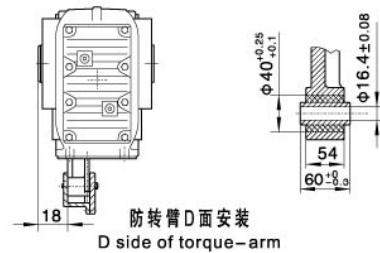
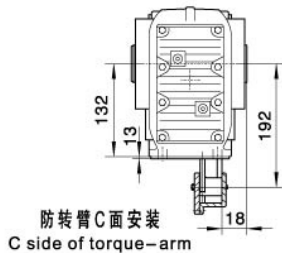
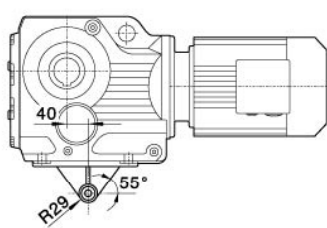
KF57



KAF57

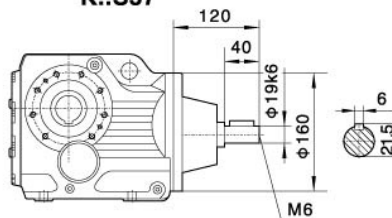
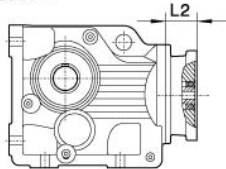


KAT57

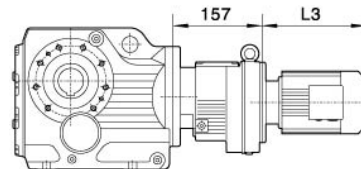


电机需方配或配特殊电机时
需加联接法兰

K..S37



K..57R37



注:其余尺寸见
相对应结构
形式

Note:For other values please refer to the o-
pposited stru-
cture.

When equipping the user's motor or the special
one,the flange is required to be connected.

Y2电机机座号 Motor size	63	71		80		90S	90L	100		112M	132S
功率/4P Power/(kW)	0.18	0.25	0.37	0.55	0.75	1.1	1.5	2.2	3.0	4.0	5.5
L3	223	245		278		304	328	350		380	425
G	130	145		175		195	195	215		240	275
L2	81	81		81		81	81	93		93	101

注:1.KA, KF, KAF, KAZ壳体为通用件,安装尺寸均可相互参照。 2."K.."表示K, KA, KF, KAF, KAZ, KAB.

Note:1.The housings of KA, KF, KAF, KAZ are common parts.The mounting dimensions may consult each other. 2."K.."mean K, KA, KF, KAF, KAZ, KAB.