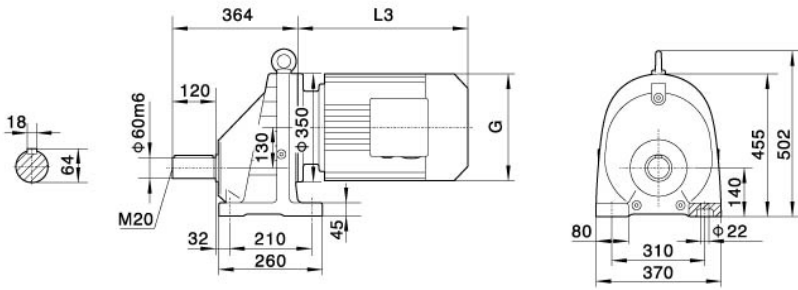
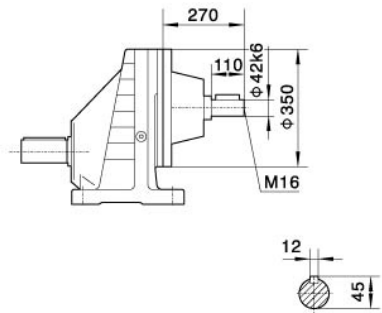


外形安装尺寸
Mounting Dimension Sheets-overview

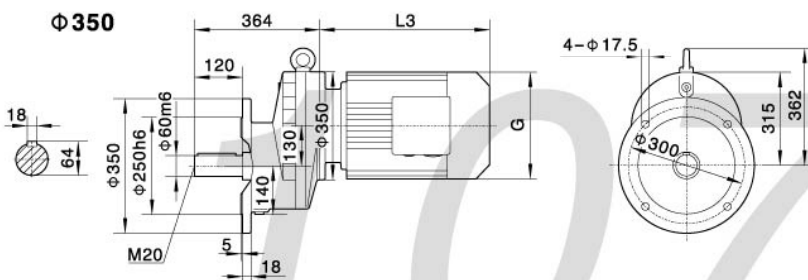
RX107



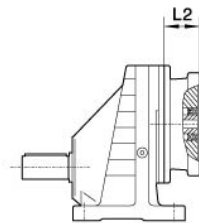
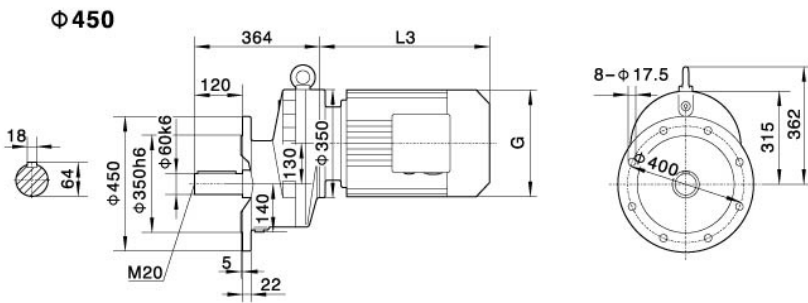
RX..S107



RXF107



电机需方配时或配特殊电机时需加联接法兰
When equipping the user's motor or the special one, the flange is required to connected.



注：其余尺寸见相应的结构形式
Note: For other values please refer to the oppsited structure

Y ₂ 电机机座号 Motor size	132M	160M	160L	180M	180L	200	225S	225M	
功率/4P Power/(kW)	7.5	11	15	18.5	22	30	37	45	
L3	422	504	519	555	588	654	680	702	
G	275	330	330	380	380	420	470	470	
L2	101	126	126	126	126	132	132	132	

注：“RX..”表示RX、RXF
Note:“RX..”mean RX、RXF

R