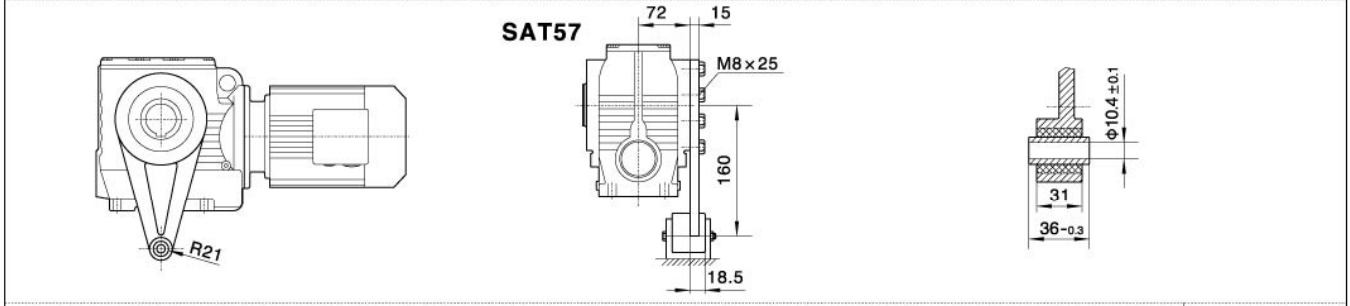
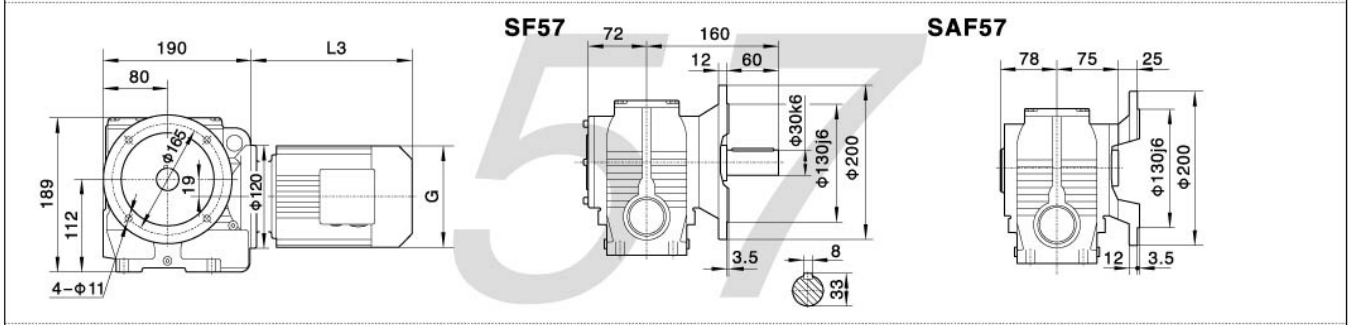
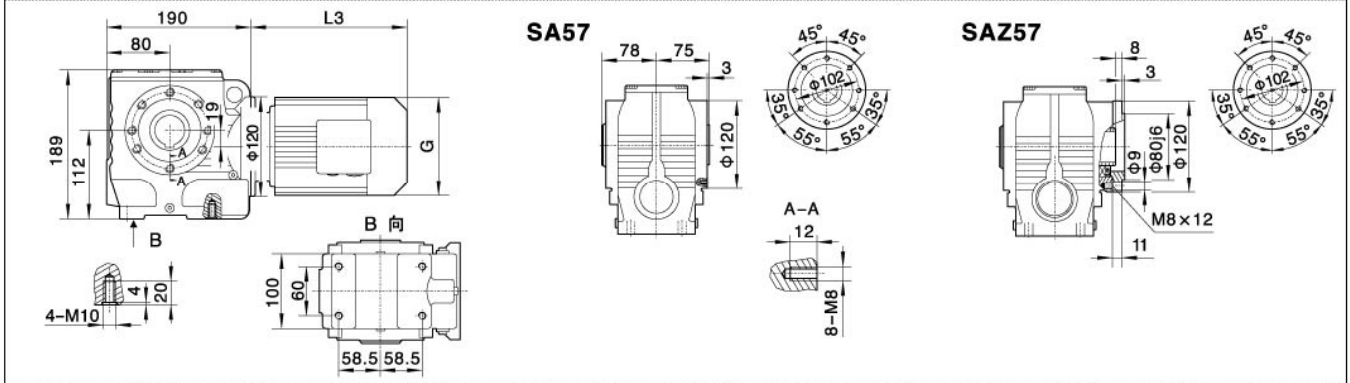
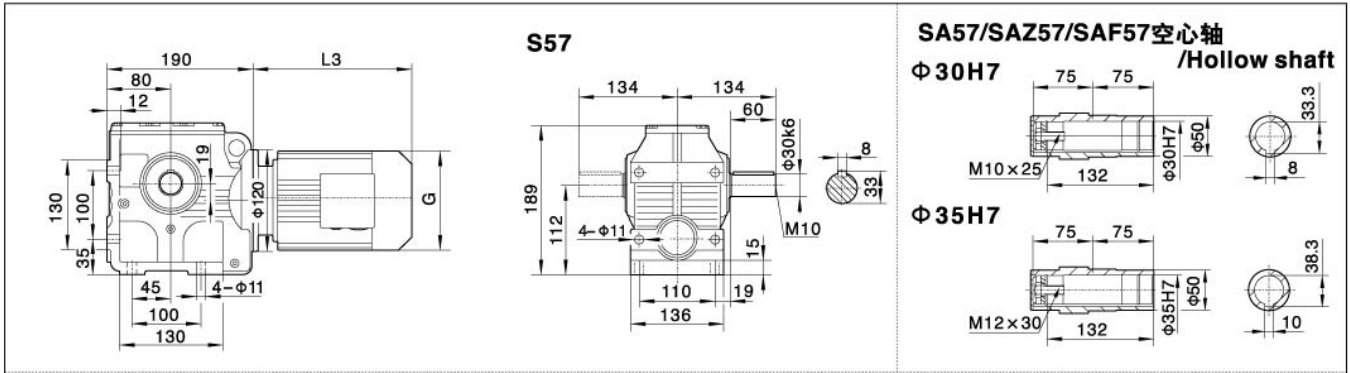


# 外形安装尺寸 Mounting Dimension Sheets-overview



电机需方配或配特殊电机时需加联接法兰

When equipping the user's motor or the special one, the flange is required to connected.

注：其余尺寸见相对应结构形式  
Note: For other values please refer to the o-pposited structure.

Y2电机座号 Motor size	63	71	80	90S	90L	100
功率/AP Power/(kW)	0.18	0.37	0.55 0.75	1.1	1.5	2.2 3.0
L3	235	245	278	304	328	340
G	130	145	175	195	195	215
L2	71	71	71	71	71	93

注:1.SA、SF、SAF、SAZ壳体为通用件,安装尺寸均可相互参照。2."S.."表示S、SA、SF、SAF、SAZ  
Note:1.The housings of SA、SF、SAF、SAZ are common parts.The mounting dimensions may consult each other. 2."S.."mean S、SA、SF、SAF、SAZ