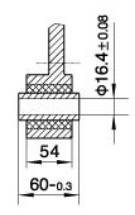
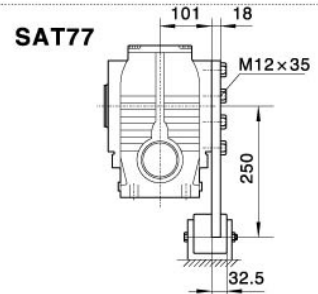
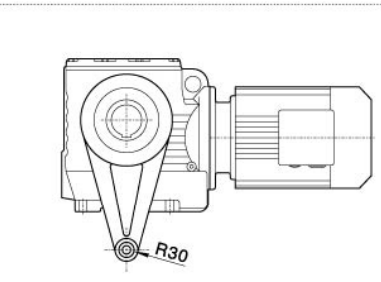
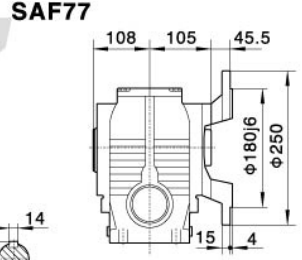
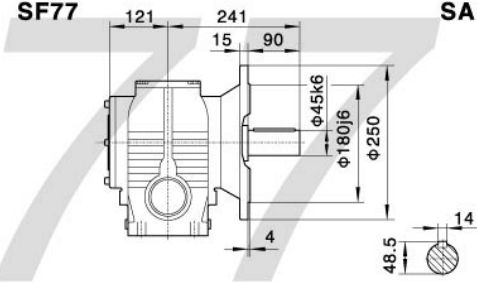
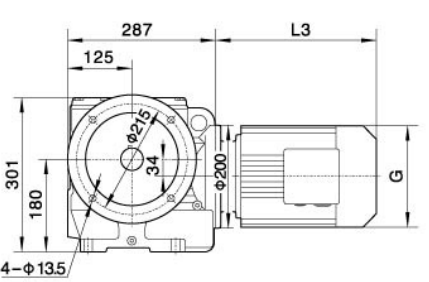
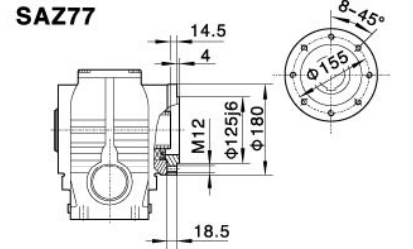
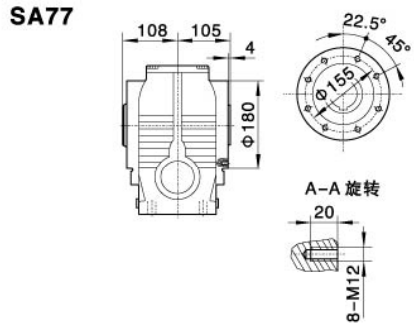
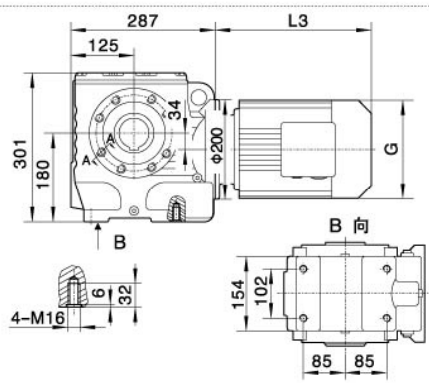
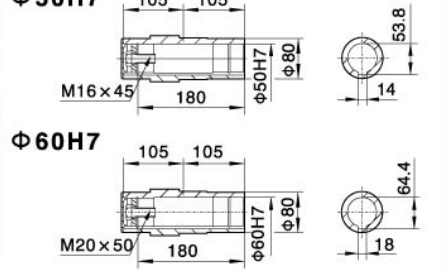
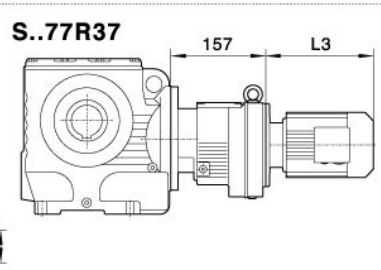
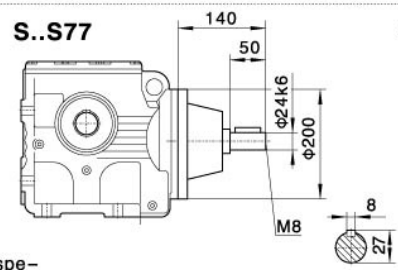
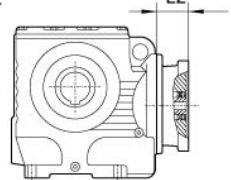


SA77/SAZ77/SAF77空心轴
/Hollow shaft



电机需配或配特殊电机时需加联接法兰



注：其余尺寸见相对应结构形式
Note: For other values please refer to the o-pposited stru-cture.

When equipping the user's motor or the special one, the flange is required to be connected.

Y2电机型号 Motor size	80	90S	90L	100	112M	132S	132M
功率/4P Power/(kW)	0.55 0.75	1.1	1.5	2.2 3.0	4.0	5.5	7.5
L3	278	304	328	350	380	425	461
G	175	195	195	215	240	275	275
L2	81	81	81	93	93	101	101

注:1.SA、SF、SAF、SAZ壳体为通用件,安装尺寸均可相互参照。2."S.."表示S、SA、SF、SAF、SAZ
Note:1.The housings of SA、SF、SAF、SAZ are common parts.The mounting dimensions may consult each other. 2."S.."mean S、SA、SF、SAF、SAZ