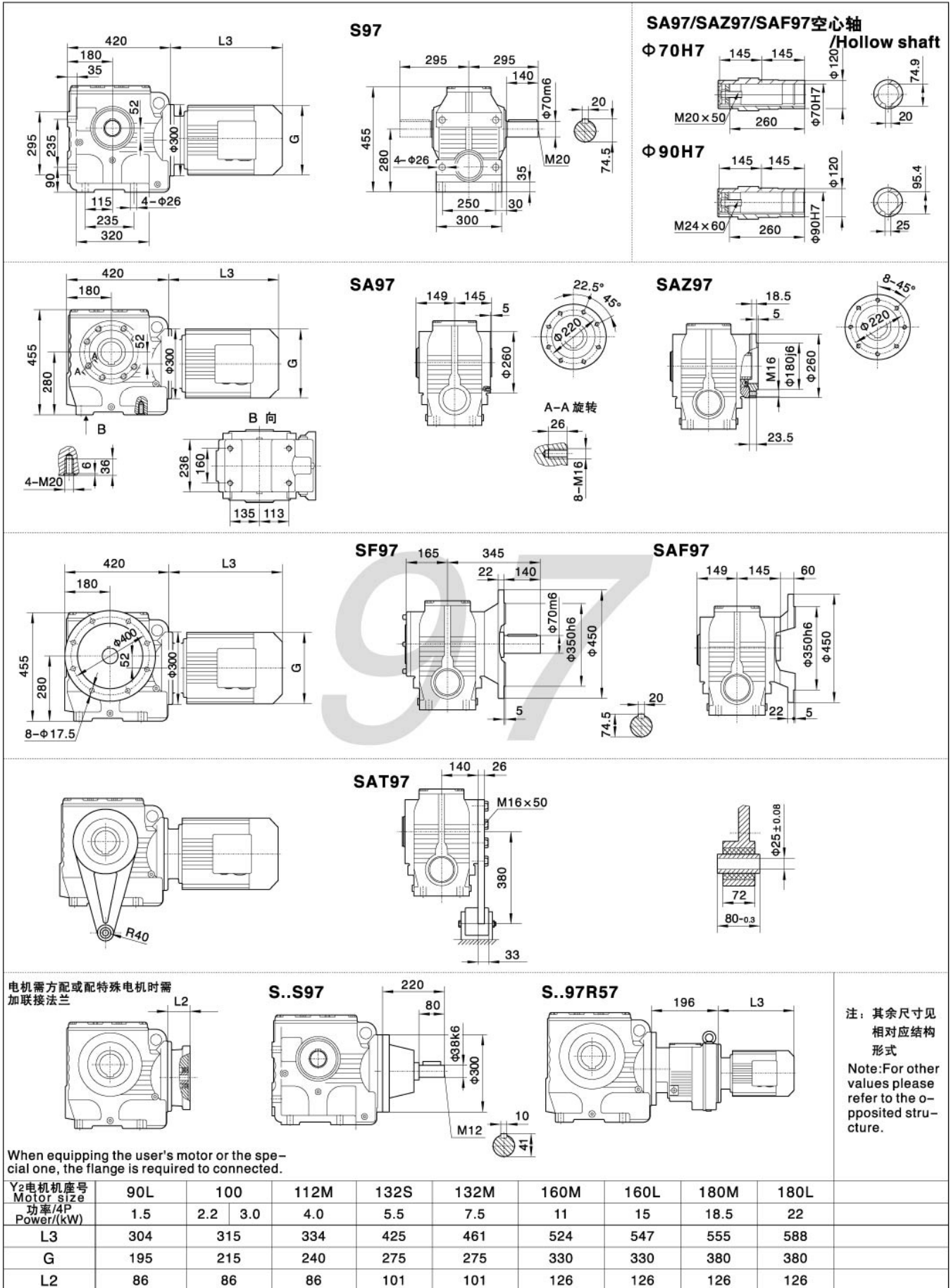


外形安装尺寸 Mounting Dimension Sheets-overview



注：其余尺寸见
相对应结构
形式
Note: For other
values please
refer to the o-
pposited stru-
cture.

注:1.SA、SF、SAF、SAZ壳体为通用件,安装尺寸均可相互参照。2."S.."表示S、SA、SF、SAF、SAZ
Note:1.The housings of SA、SF、SAF、SAZ are common parts.The mounting dimensions may consult each other. 2."S.."mean S、SA、SF、SAF、SAZ